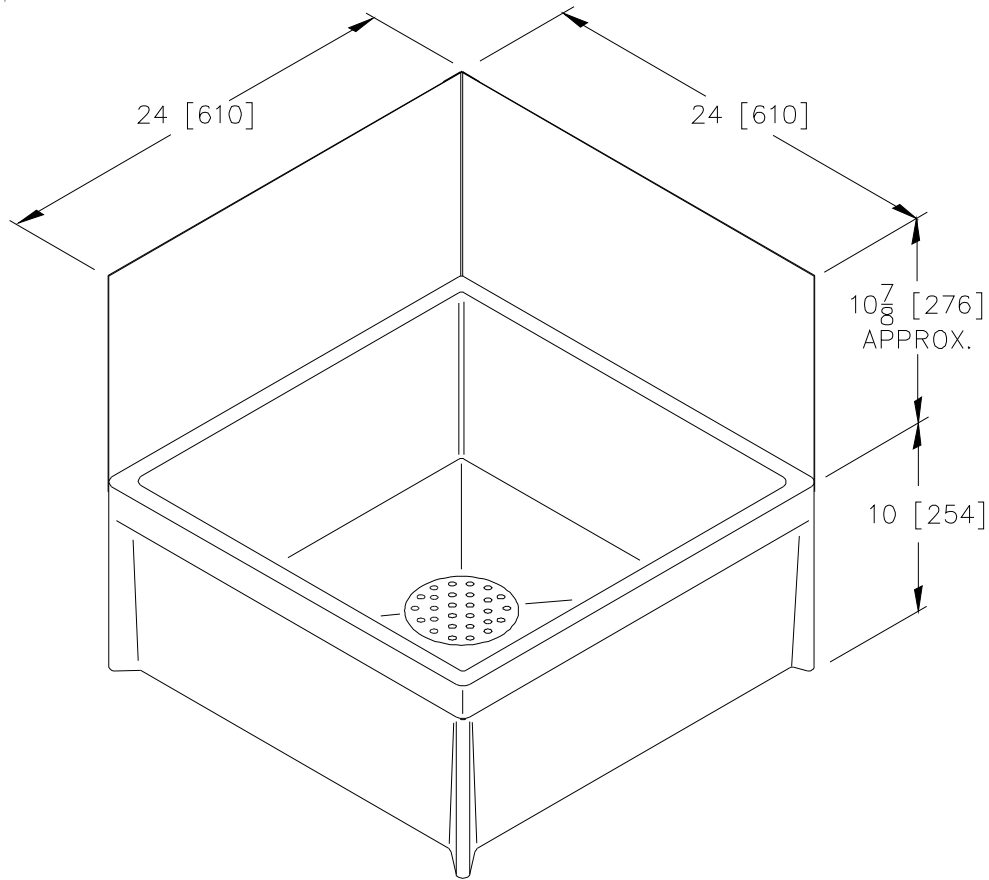


Dimensional Data (inches and [mm]) are Subject to Manufacturing Tolerances and Change Without Notice



| Product | Mop Basin Size | Approx. Wt. Lbs. [kg] |
|-----------------|-----------------------------------|-----------------------|
| ___ Z1996-24-WG | 24 x 24 x 10 [610 x 610 x 254] | 50 [23] |

ENGINEERING SPECIFICATION: Z1996-24-WG

Mop Service Basin 24 x 24 x 10 [610 x 610 x 254] Molded high density composite basin, PVC drain body, stainless steel dome strainer/lint basket, (2) stainless steel wall guards, and 3 [76] gasketed outlet connection. Certifications: Meets ANSI Z124.6, CSA listed, and IAPMO listed under file # 3561.

OPTIONS (Check/specify appropriate options)

SUFFIXES

- ___ -AW White Body
- ___ -BD Brass Drain
- ___ -BS Stainless Steel Bumper Guard
- ___ -BV Vinyl Bumper Guard
- ___ -HH Hose and Hose Bracket
- ___ -MH Mop Hanger
- ___ -NHG PVC Drain Gasket for No-Hub Pipe
- ___ -PRP Pipe Reducer for PVC Drain
- ___ -PRS Pipe Reducer for Stainless Steel Drain
- ___ -SDL Stainless Steel Drain with Locking Nut
- ___ -SF Service Faucet

